

Shut-off valve 500

Type AVM

NG 4
up to 25 l/min

Features

- Bi-directional flow
- Leakage free



Design

- Seated valve
- Cartridge alone or in manifolds

Applications

The shut-off valve AVM is a part of the 500+ series. It is a directly and manually operated seated valve. It opens and closes a hydraulic line at any pressure difference up to 700 bar. It also can be used as discharging valve to the tank.



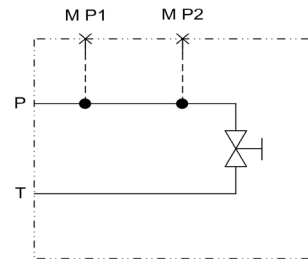
Technical data

Hydraulic fluid	mineral oil according to DIN 51524 (other fluids on request)	
Fluid temperature range	-20 to 80 °C	
Ambient temperature range	-30 to 50 °C	
Viscosity range	5 to 400 mm ² /s	
Porting	NG 4	
Max. operating pressure port 1	700 bar	
Max. operating pressure port 2	700 bar	
Max. flow rate	25 l/min	
Pressure loss	at 12 l/min (fully open) and 32 mm ² /s: 6 bar at 25 l/min (fully open) and 32 mm ² /s: 19 bar	
Filtration (recommendation)	according to NAS 1638, class 6 or ISO 4406 17/15/12	
Weight	0,12 kg (cartridge)	
Material/surface treatment	Cartridge body:	high tensile corrosion-free steel
	Supporting ring:	PTSM
	Handle:	steel

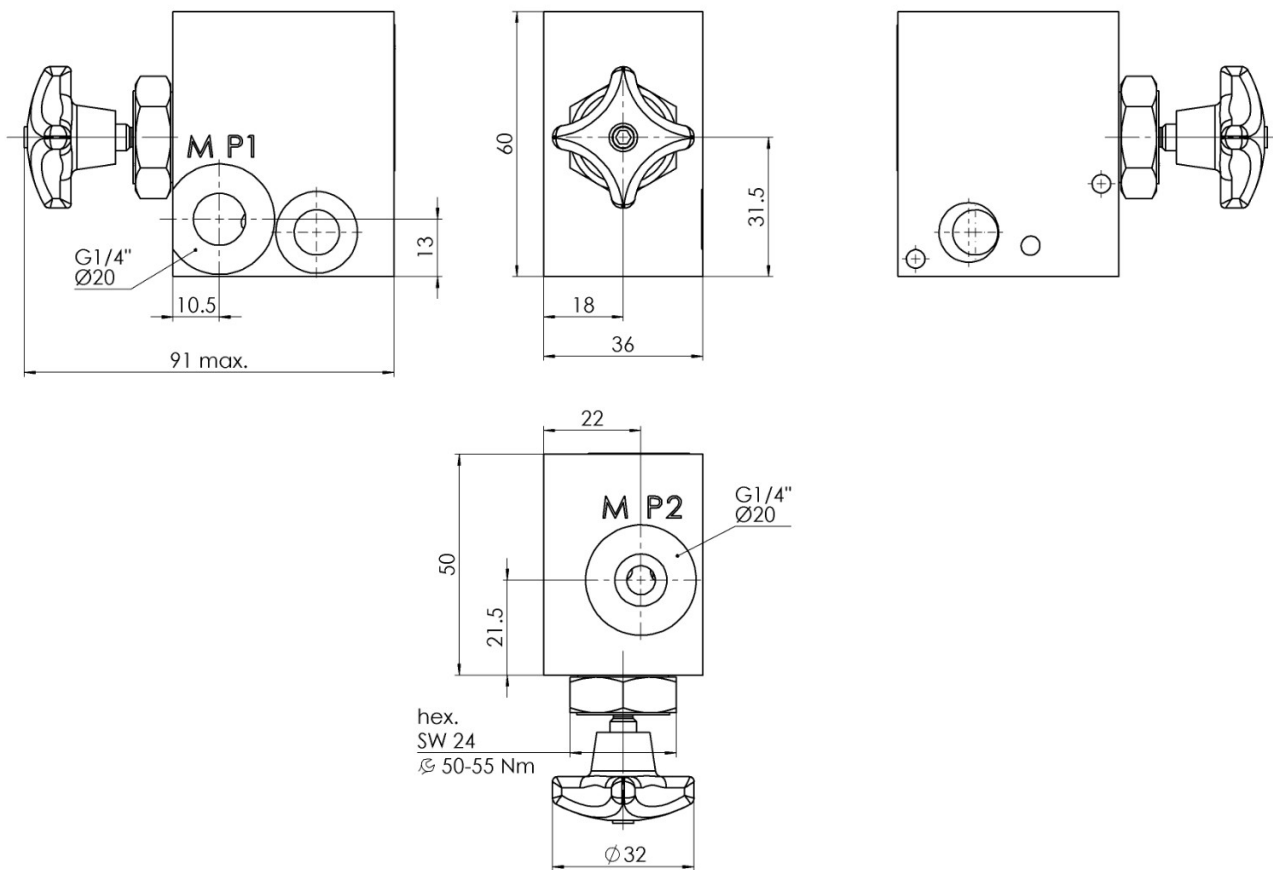
Endplate for valve bank

Type code	Part number
AVM-4B-EE-V-A*00	3830764

Hydraulics schematics



Dimensional drawing



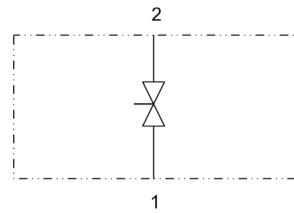
Type AVM

NG 4
up to 25 l/min

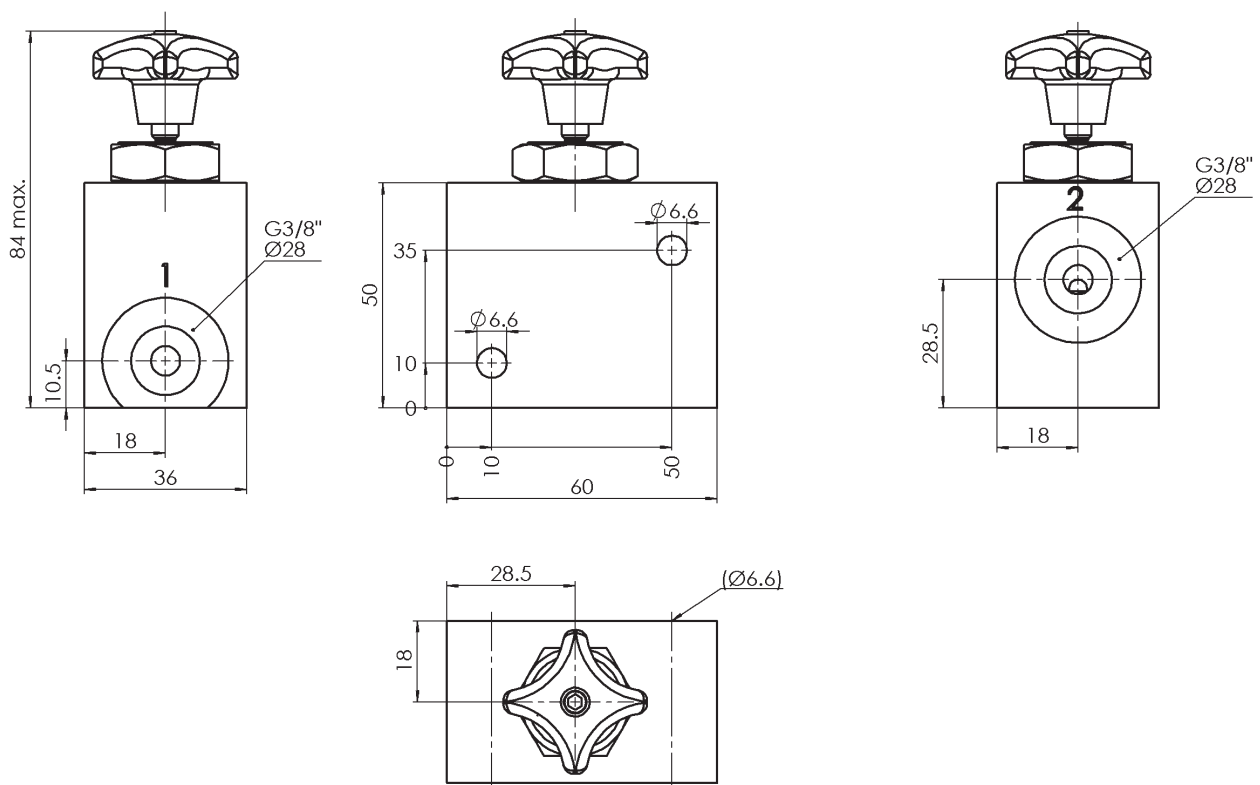
In-line mounting manifold

Type code	Part number
AVM-4R-G3/8-V-A*00	3830775

Hydraulics schematics



Dimensional drawing



Bieri Hydraulik AG

Könizstrasse 274
CH-3097 Liebefeld
Tel. +41 31 970 09 09 | Fax +41 31 970 09 10
info@bierihydraulics.com | www.bierihydraulics.com

The information in this brochure relates to the operating conditions and applications described.

For applications and operating conditions not described, please contact the relevant technical department.

Subject to technical modifications.